

EAC



Nominal capacity (at 50 Hz)	m <sup>3</sup> /h	330
Ultimate vacuum	mbar abs.	7.5x10 <sup>-2</sup>
Motor power	kW	11
Rotation speed	rpm	2900
Inlet / Outlet connection	JIS 10k	65 / 50
Cooling water connection	NPT	1/2
Cooling water flow (15 °C)	l/min/ m <sup>3</sup> /h	10-15 / 0.6-0.9
Gear box oil volume	l	2
Dimensions	mm	977x400x365
Total weight	kg	540

### Pumped medium contact parts

- standard Ni-p coating; PFA as option

### Component parts

#### Shaft seal:

- drive shaft: PTFE lip seal
- drive end: PTFE double lip seal + mechanical seal
- nondrive end: PTFE double lip seal + PTFE double lip seal
- o-rings: standard FKM; FFKM as option

### Materials

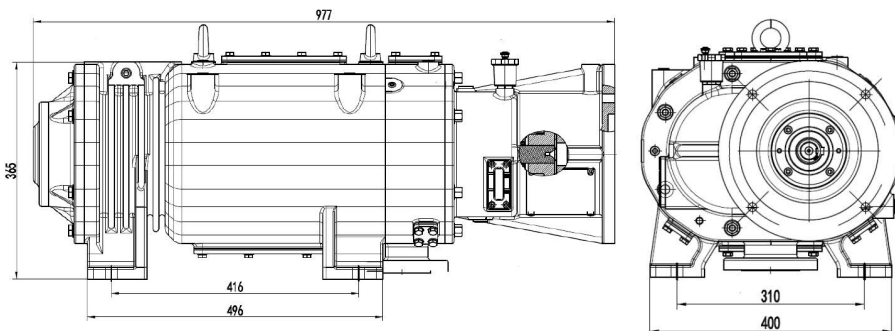
#### Materials:

- casing: ductile iron QT450
- rotors: ductile iron QT500
- timing gears: alloy steel 20CrMnTi

#### Bearings:

- standard NSK; SKF as option

### Dimensioned drawing



### Vacuum units based on VSD vacuum pumps in acc. to the customers specifications

LLC "SPC "ZME" is an engineering and production company of vacuum units in according to individual customers requirements. Including explosion-proof versions for work at hazardous production facilities and certified according to technical regulations TR CU 012/2011

