

EAC



Nominal capacity (at 50 Hz)	m ³ /h	660
Ultimate vacuum	mbar abs.	7.5x10 ⁻²
Motor power	kW	18.5
Rotation speed	rpm	2900
Inlet / Outlet connection	JIS 10k	100 / 65
Cooling water connection	NPT	1/2
Cooling water flow (15 °C)	l/min/ m ³ /h	15-20 / 0.9-1.2
Gear box oil volume	l	2.5
Dimensions	mm	1143x460x410
Total weight	kg	696

Pumped medium contact parts

- standard Ni-p coating; PFA as option

Component parts

Shaft seal:

- drive shaft: PTFE lip seal
- drive end: PTFE double lip seal + mechanical seal
- nondrive end: PTFE double lip seal + PTFE double lip seal
- o-rings: standard FKM; FFKM as option

Materials

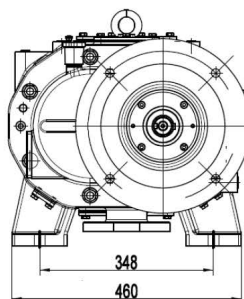
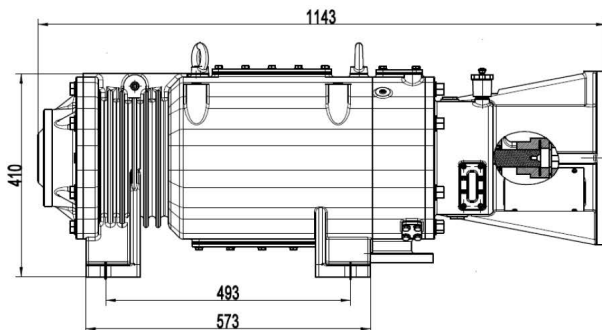
Materials:

- casing: ductile iron QT450
- rotors: ductile iron QT500
- timing gears: alloy steel 20CrMnTi

Bearings:

- standard NSK; SKF as option

Dimensioned drawing



Vacuum units based on VSD vacuum pumps in acc. to the customers specifications

LLC "SPC "ZME" is an engineering and production company of vacuum units in according to individual customers requirements.

Including explosion-proof versions for work at hazardous production facilities and certified according to technical regulations TR CU 012/2011

